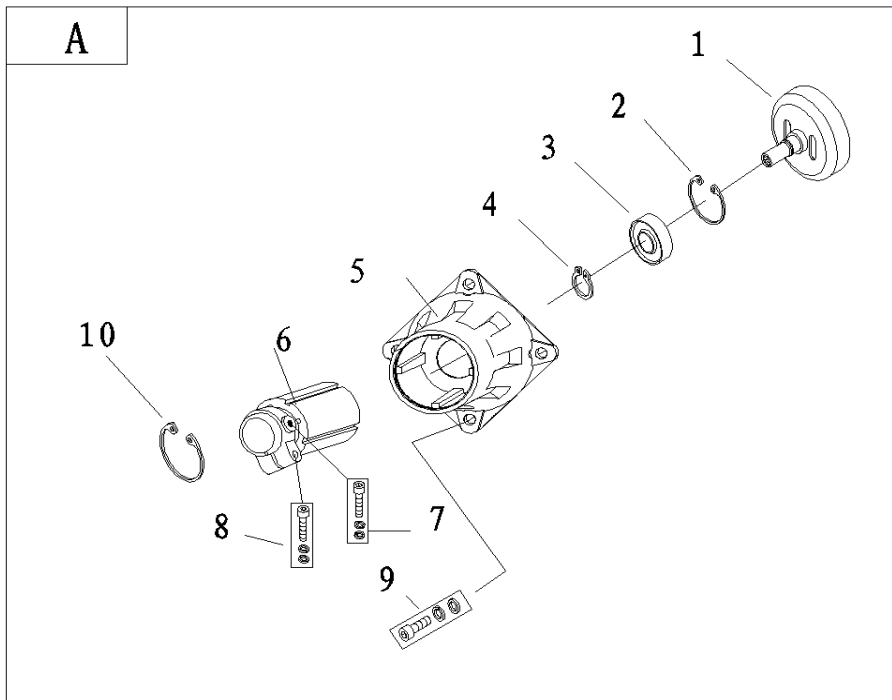
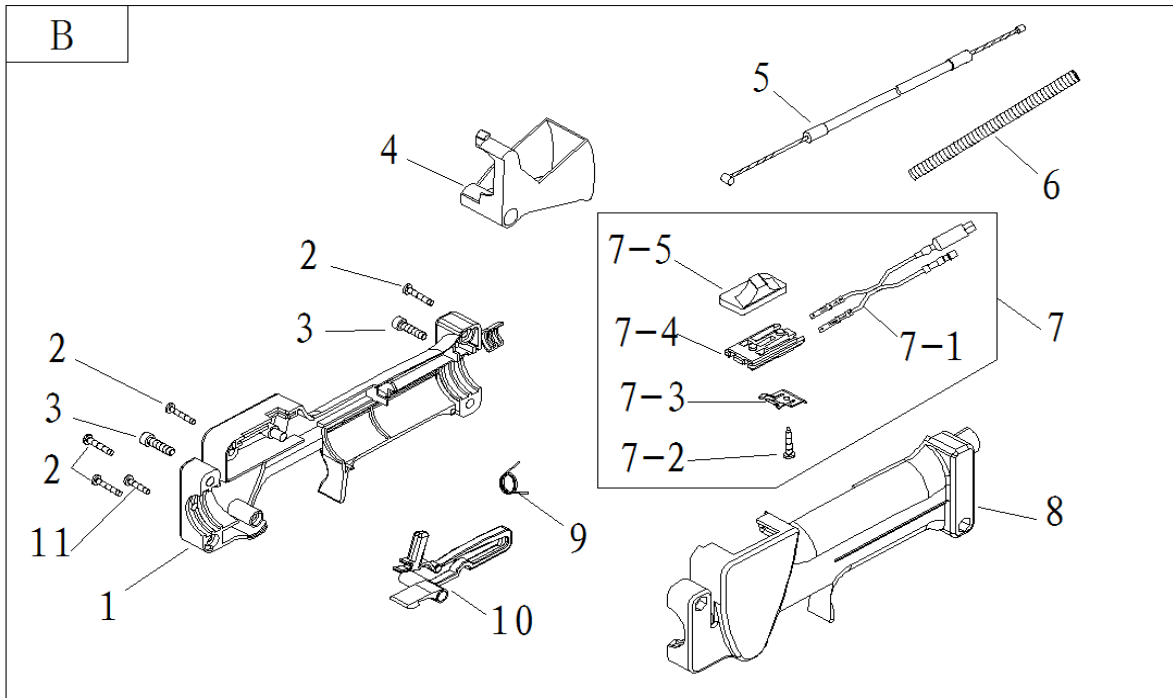


NO.	Part NO.	Part Name	Qty.
A	3GC260.1A	Clutch Comp.	
1	CG260A.1A-2	Clutch Drum	1
2	GB/T893.1	Stop Ring 35	1
3	GB/T276	Bearing 6202-2RZ/P6	1
4	GB/T894.1	Stop Ring 15	1
5	3GC260.1A-1	Linker	1
6	3GC260.1A.1	Connecting Body	1
7	GB/70+GB93+GB97	Screw M5x12	1
8	GB/70+GB93+GB97	Screw M5x30	1
9	GB/70+GB93+GB97	Screw M6x18	4
10	GB/T893.1	Stop Ring 45	1

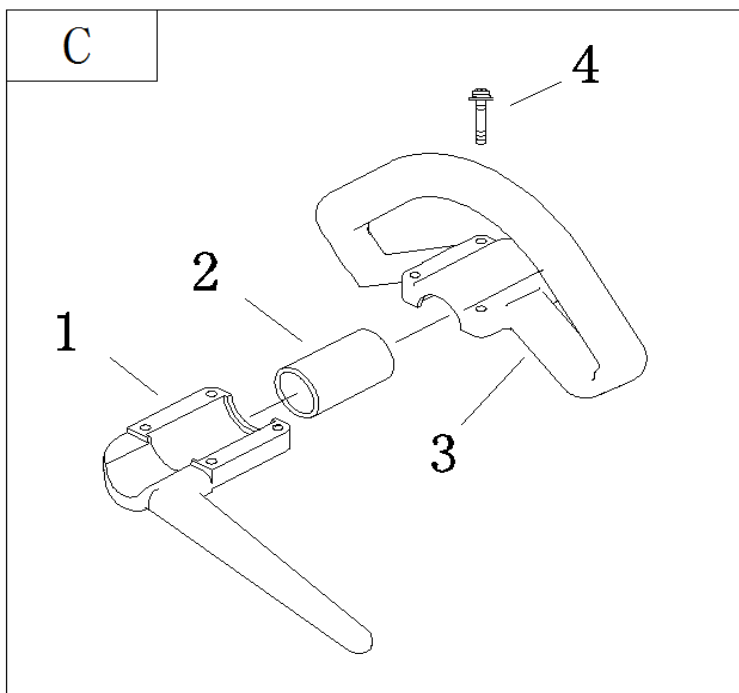


B	SG230.1	Lever Ass'y	
1	SG230.1-1	Box,Right	1
2	GB/T845	Screw ST3.5x19	5
3	GB/T70.1	Screw M5x18	2
4	SG230.1-5	Throttle Lever	1
5	CG260.2.2D	Cable Comp.	1
6	BG328A-2	Tube	1
7	SG230.1.2E	Stop Button comp.	1
7-1	SG230.1.2E.1	Stop Line	1
7-2	GB/T845	Screw ST2.9x13	1
7-3	SG230.1.2-1	Touch Reed	1
7-4	SG230.1.2-2	Guide Seat	1
7-5	SG230.1.2-3	Stop Switch	1

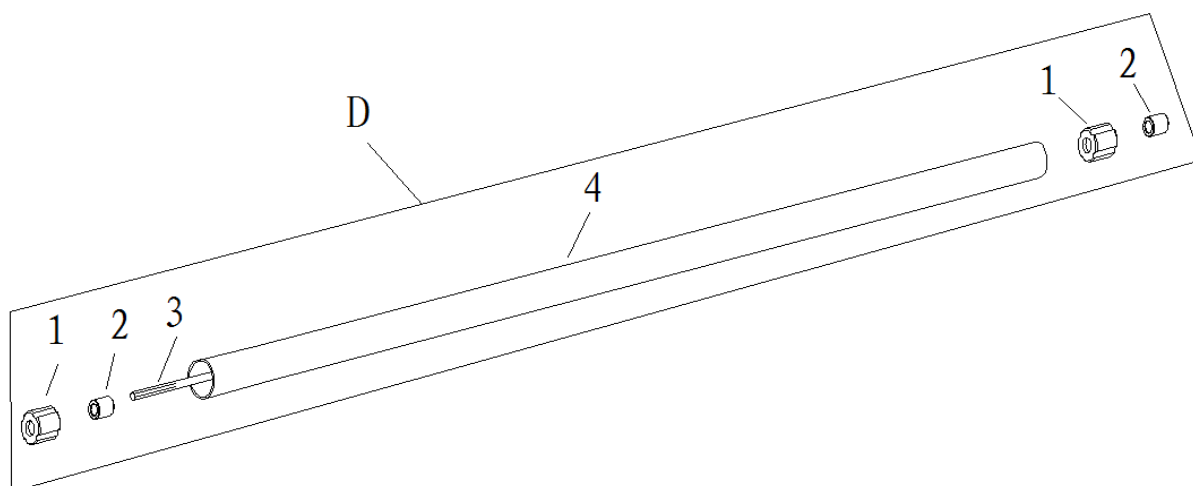
8	SG230.1-2	Box,Left	1
9	SG230.1-6	Spring	1
10	SG230.1-4	Safety Lever	1
11	GB/T845	Screw ST3.5x6.5-F	1



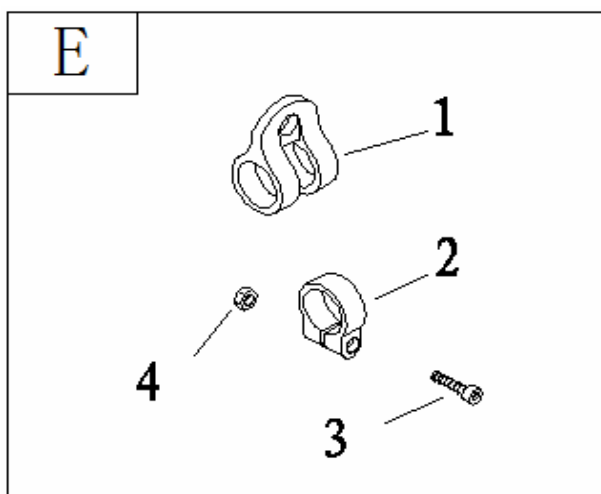
C	CG245Q.11	Handle Comp.	
1	CG245Q.11.1	Handle Cover	1
2	BG330-CE.1-2-2012CE	Rubber Cover	1
3	CG245Q.11-1	Handle	1
4	1E40F-5A-CE-4	Screw M5x30	4



D	4GS-50.3	Pipe Comp.	
1	BG-328.9.4-5	Rubber Cover	6
2	BG-328.9.4-4	Oil-bearing	6
3	4GS-50.3-1	Drive Shaft	1
4	4GS-50.3-2B	Pipe	1



E	CG260.3	Holder Ass'y	
1	CG260.3.1	Harness Clamp	1
2	CG260.3-1	Clamp	1
3	GB/T70.1	Screw M5x18	1
4	GB/T889.1	Nut M5	1



G	4GS-50.1	Harvester Head	
1	4GS-50.1-3	Case Cover	1
2	GB/T70+GB93+GB97	Screw M5x20	6
3	GB/T276	Bearing 6000-2RZ/P5	2
4	GB894.1	Stop Ring 35	1
5	GB/T276	Bearing 61807-2RZ/P6	1
6	GB/T276	Bearing 619/6-RZ/P6	3
7	GB894.1	Stop Ring 6	1
8	4GS-50.1-6	Shaft	2

9	4GS-50.1-9	Crank Shaft	1
10	4GS-50.1-2	Washer	1
11	4GS-50.1-10	Shaft	1
12	4GS-50.1-11	Gear	1
13	6MF-30.1-4	Pin	2
14	GB/T70+GB93+GB97	Screw M5x16	1
15	GB/T70+GB93+GB97	Screw M5x25	1
16	4GS-50.1.2	Pinion	1
17	GB894.1	Stop Ring 10	1
18	GB893.2	Stop Ring 26	1
19	4GS-50.1-8	Wheel Box	1
20	GB/T6183	Nut M5	3
21	4GS-50.1-12	Harness	4
22	4GS-50.1.1	Gatherer	2
23	4GS-50.1-4A	Harness	1
24	4GS-50.1-20	Harness	4
25	QC/T623	1.2*20 R Shaft	1
26			
27			
28			
29	4GS-50.1-5A	Drive Shaft	1
30	4GS-50.1-7A	Plate	2
31	GB/T70+GB93+GB97	Screw M5x25	2
32	GB/T70+GB93+GB97	Screw M6x35	2
33	4GS-50.1.3A	Pole	8
34	4GS-50.1-16	Plank	2
35	GB1152	Fuel Cup M6	1
36	GB/T276	Bearing 6000 P6	1
37	GB/T276	Bearing 6000-2RS/P6	1
38	GB/T6183	Nut M6	2
39	4GS-50.1-20	Harness	2
40	CG415D.6-1	Washer	1
41	GB96	Washer 6	1

G

