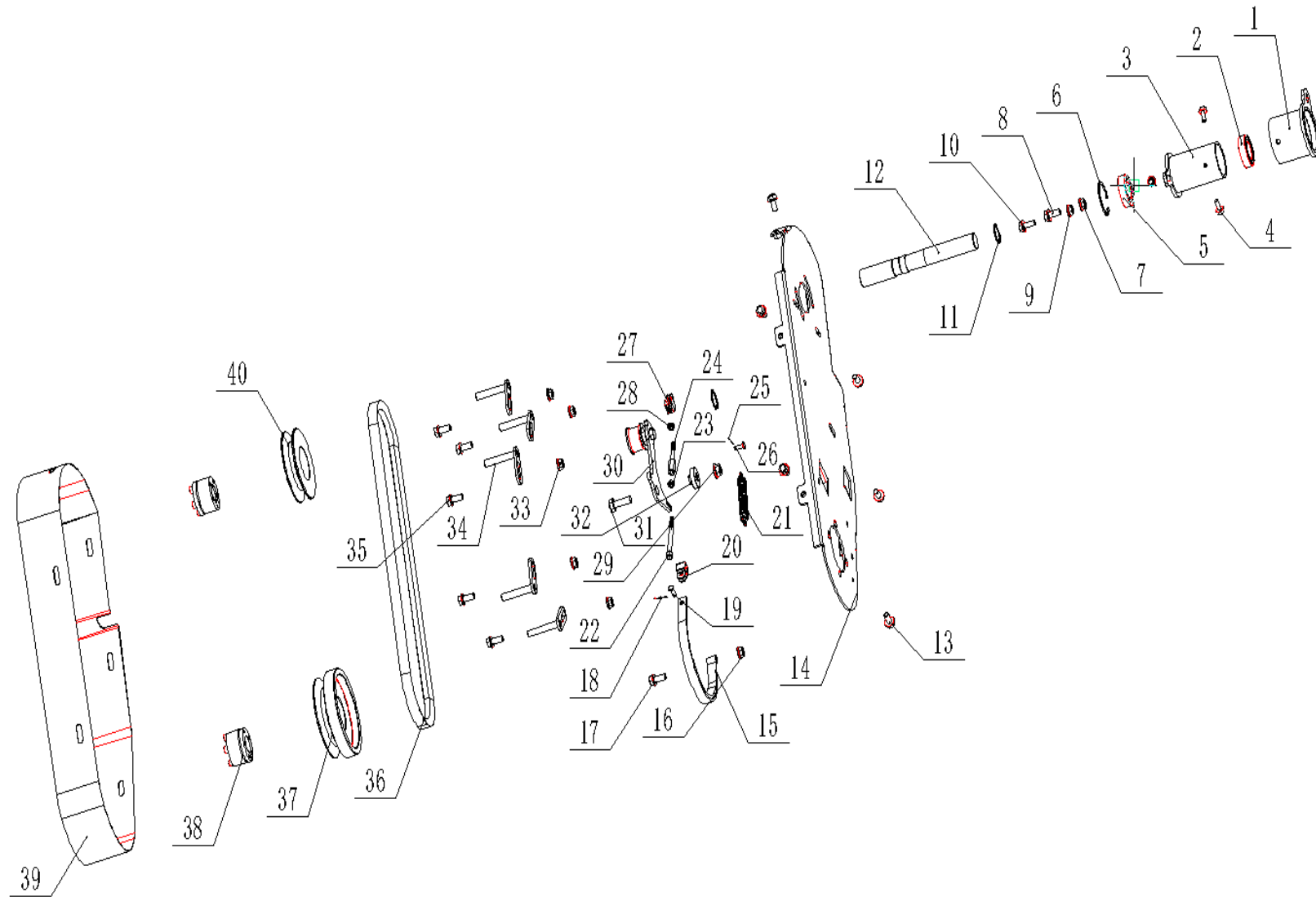
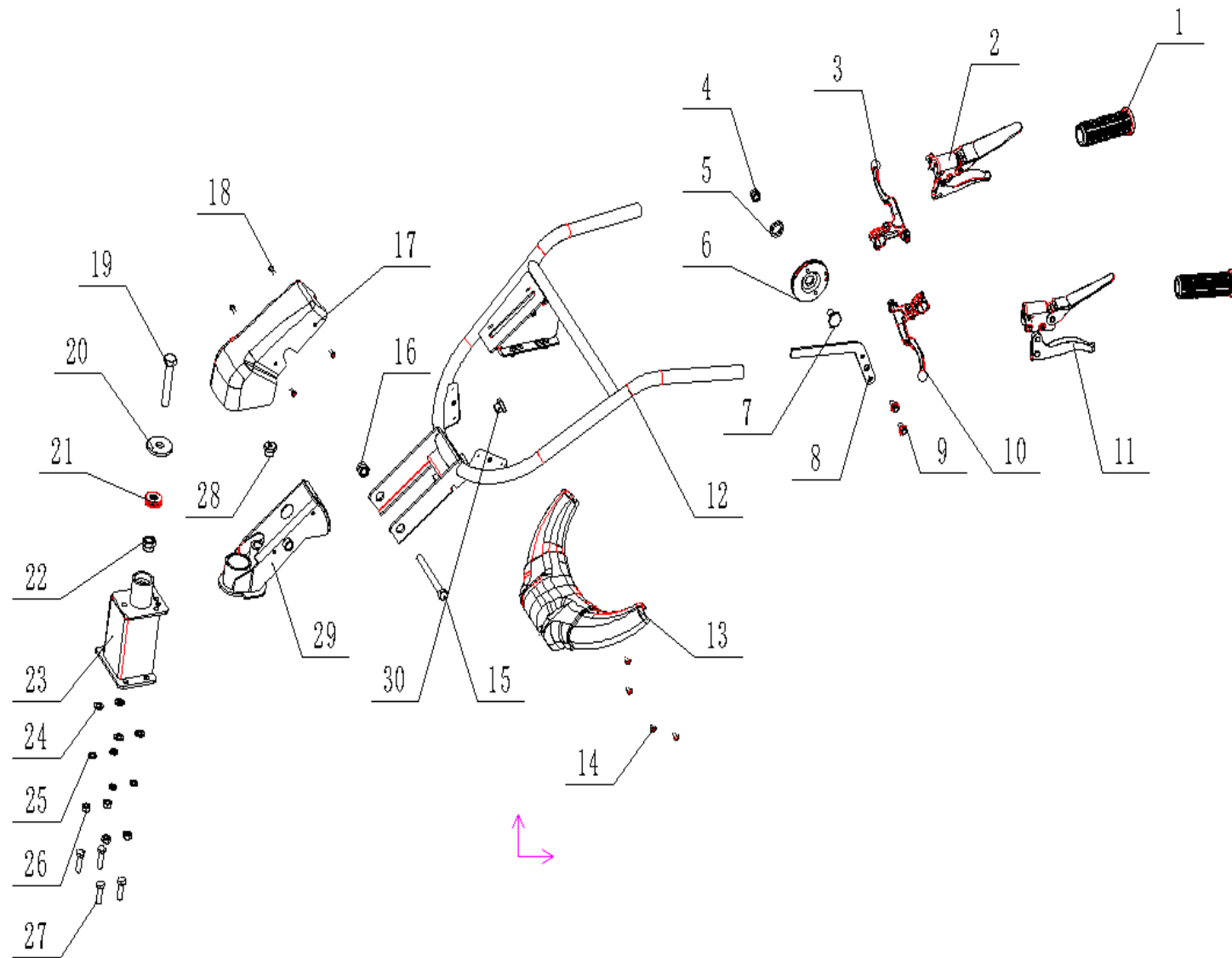


SG-TR60

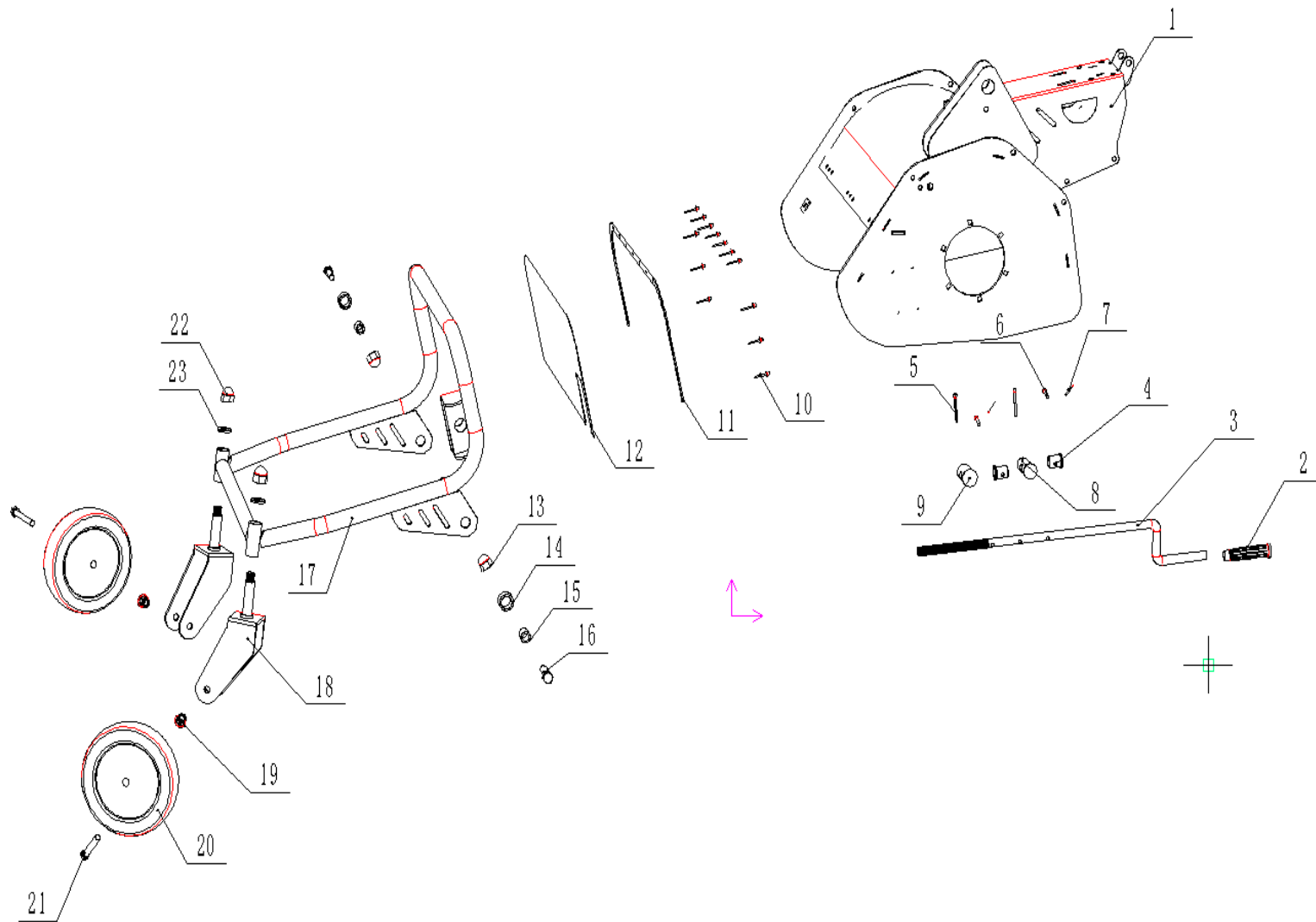




Nº	Referencia	Description
1	23455-T60004-0012	Connecting Tube_T60004
2	G0276-6005-RS00	Deep Groove Ball Bearing_6005-2RS
3	23455-T60005-0012	Connecting Tube_T60005
4	G0070-060016-0002	Hexagon Socket Head Cap Screw_M6×16
5	G0276-6005-RS00	Deep Groove Ball Bearing_6005-2RS
6	G0893.470000.0003	Retaining Ring for Hole_φ47
7	G6177-080000-0002	Hexagon Flange Nut_M8
8	G5787-080025-0002	Hexagon Flange Bolt_M8×25
9	G6177-080000-0002	Hexagon Flange Nut_M8
10	G5787-080025-0002	Hexagon Flange Bolt_M8×25
11	G0894-250000-0003	Retaining Ring for Shaft_φ25
12	23454-T60001-0100	Transmission shaft
13	G5787-080016-0002	Hexagon Flange Bolt_M8×16
14	11803-T60002-0012	The Support Plate
15	23390-T60001-0002	Hoof Block
16	G6177-080000-0002	Hexagon Flange Nut_M8
17	G5787-080035-0002	Hexagon Flange Bolt_M8×35
18	G0091-010020-0002	Cotter Pin_φ1×20
19	G0822-060016-0002	Pin_φ6×16
20	62045-T60002-0003	Connecting Head
21	22437-C50002-0002	Return Spring
22	G0070-060080-0002	Hexagon Socket Head Cap Screw_M6×80
23	G6170-060000-0002	Hexagon Nut_M6
24	11809-T60001-0002	Bolt
25	G0091-010020-0002	Cotter Pin_φ1×20
26	G0822-060016-0002	Pin
27	62045-T60001-0002	Connecting Head
28	G6170-060000-0002	Hexagon Nut_M6
29	G6177-080000-0002	Hexagon Flange Nut_M8
30	22520-T60002-0002	Tensioner assembly (Blade)
31	G5787-080030-0002	Hexagon Flange Bolt_M8×30
32	53255-T60002-0002	Bush (for Tensioner)
33	G6177-080000-0002	Hexagon Flange Nut_M8
34	22442-504003-0002	Belt Briquetting
35	G5787-080016-0002	Hexagon Flange Bolt_M8×16
36	22431-T60005-0000	Transimission Belt_17×1160
37	22415-T60002-0019	Driven Pulley (Blade)
38	11804-T60001-0000	Tensioner
39	63610-T60002-0023	Belt Cover (Metal)
40	22411-T60002-0019	Driving Pulley (Blade)

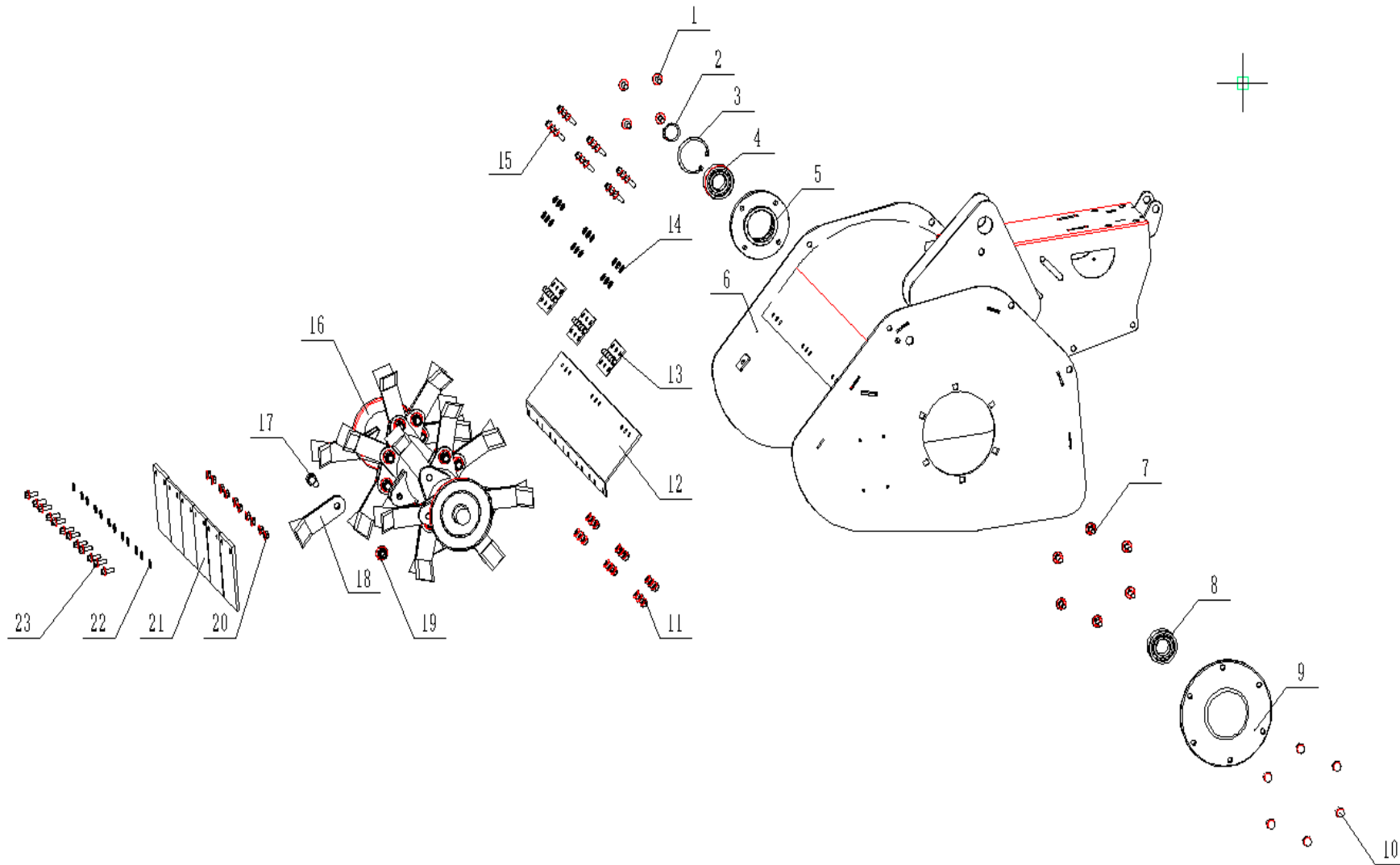


Nº	Referencia	Description
1	53165-250000-0000	Rubber Tube
2	54115-504004-0028	Clutch Handle Bar
	54115-71Q001-0012	Clutch Handle Bar
3	54115-71Q002-0000	Clutch Handle Bar
4	G0889-120000-0002	Hexagon Lock Nut (Non-Metal)_M12
5	53255-203005-0000	Bush (Nylon)
6	50662-834001-0002	Wire Wheels
7	11809-120028-0002	Bolt
8	50653-T60002-0002	Handle Bar
9	G5789-080016-0002	Hexagon Flange Bolt_M12×16
10	54115-71Q002-0000	Clutch Handle Bar
11	54115-504004-0028	Clutch Handle Bar
	54115-71Q001-0012	Clutch Handle Bar
12	53110-T60001-0013	Handle Frame
13	51231-05C002-0096	Plastic Cover
14	G0818-050014-0002	Cross Recessed Pan Head Screws _M5×14 with washer
15	G5782-140130-0002	Hexagon Bolt_M14×130
16	G0889-140000-0002	Hexagon Lock Nut (Non-Metal)_M4
17	51231-05C001-0096	Plastic Cover
18	G0845-048013-0002	Cross Recessed Pan Head Screws with washer
19	G5782-160095-0002	Hexagon Bolt_M14×130
20	21134-05C002-0002	Cover Plate
21	G0301-51203-0000	Single Direction Thrust Ball Bearing
22	G0889-160000-0002	Hexagon Lock Nut (Non-Metal)
23	50110-T60005-0013	Handle Support Set (Lower)
24	G0097-100000-0002	Washer_φ10
25	G0093-100000-0002	Spring Washer_φ10
26	G6170-100000-0002	Hexagon Nut_M10
27	G5780-100035-0002	Hexagon Bolt_M10×35
28	50655-71Q002-0002	Perforated Bolt_M18
29	50110-71Q006-0013	Handle Support Set (Middel)
30	50655-71Q001-0002	Perforated Bolt_M16

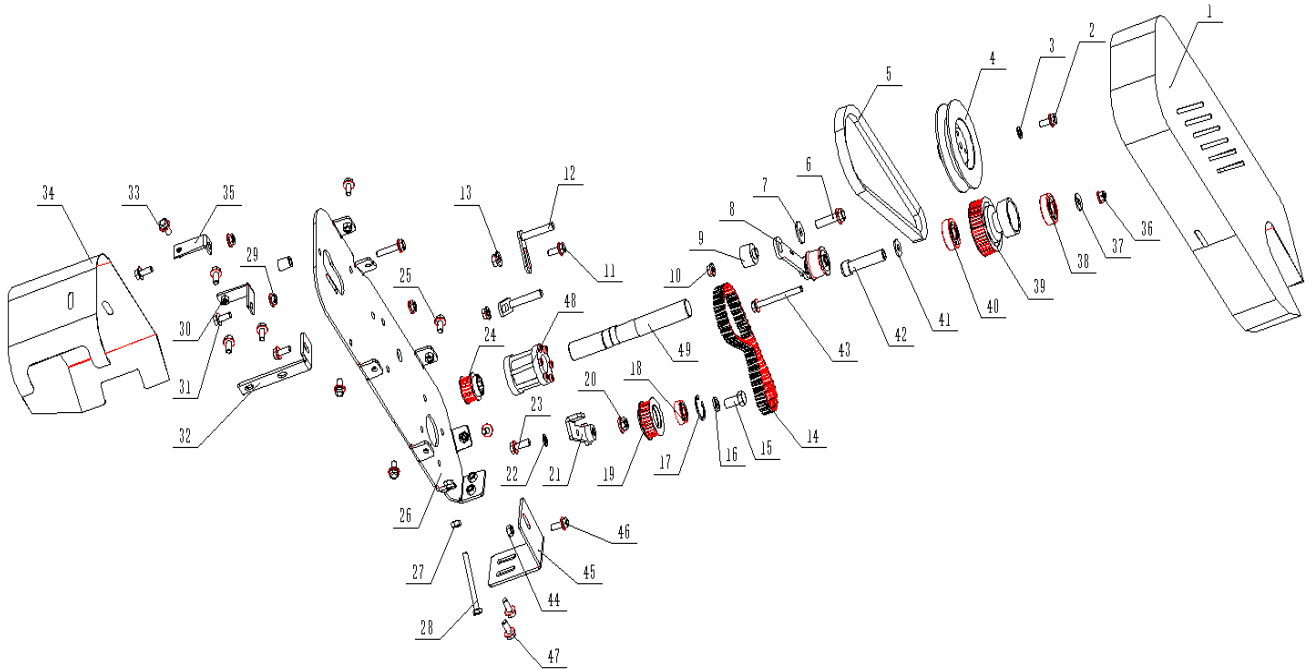




Nº	Referencia	Description
1	51110-T60001-0012	Engine Support Frame
2	53165-160000-0000	Rubber Tube
3	23454-T60003-0002	Trasmission Shart (Up and Down)
4	53256-T60001-0002	Bush
5	G0091-015020-0002	Cotter Pin_φ4×50
6	G0822-050026-0002	Pin_φ5×26
7	G0091-015020-0002	Cotter Pin_φ1.5×20
8	G0822-T60002-0002	Pin Shaft
9	G0822-T60001-0002	Pin Shaft
10	G2618-050013-0000	Rivets -11 level_φ5×13
11	61114-T60002-0002	Bead
12	61113-T60002-0013	Fender
13	G0889-120000-0002	Hexagon Lock Nut (Non-Metal) _M12 with Washer
14	53255-T60008-0002	Bush_φ22×φ30×20
15	53255-T60007-0002	Bush_φ13×φ20×26
16	G5780-120050-0002	Hexagon Bolt_M12×50 with Washer
17	76652-T60002-0023	Frame
18	41002-T60001-0012	Front Wheel Frame
19	G0889-120000-0002	Hexagon Lock Nut (Non-Metal) _M12 with Washer
20	41001-T60001-0013	Front Wheel
21	G5789-120085-0002	Hexagon Flange Bolt_M12×85
22	G0889-160000-0002	Hexagon Lock Nut (Non-Metal) _M16
23	G0097-160000-0002	Washer_φ16

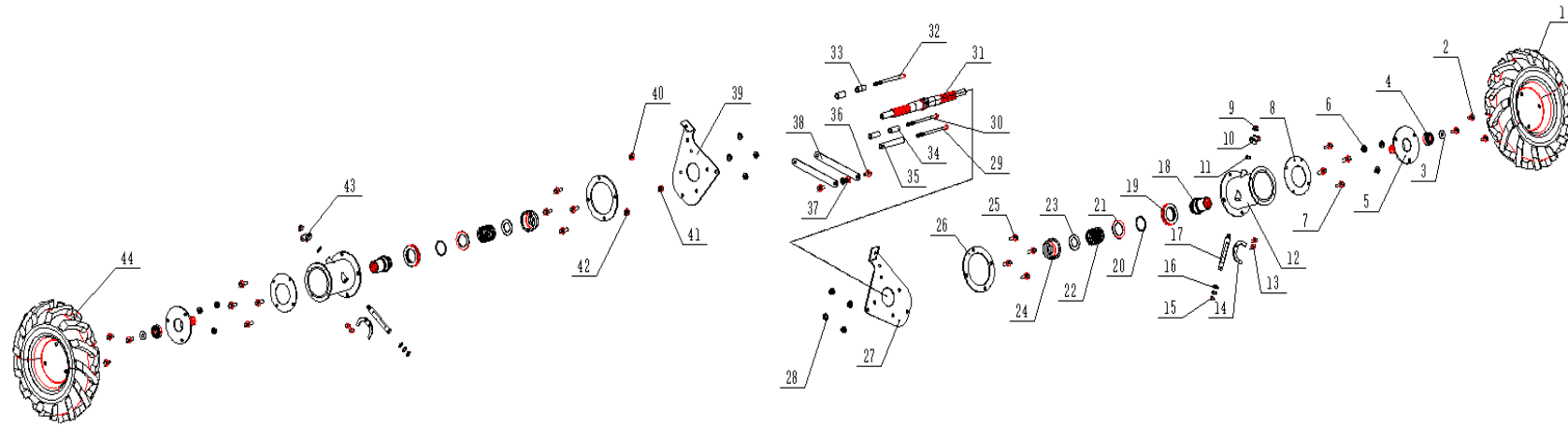


Nº	Referencia	Description
1	G5787-080016-0002	Hexagon Flange Bolt_M8X16
2	G0894-250000-0003	Retaining Ring for Shaft_φ25
3	G0893-520000-0003	Retaining Ring for Hole_φ52
4	G0276-6205-RS00	Deep Groove Ball Bearing_6205-2RS
5	21113-T60002-0002	Flange
6	51110-T60001-0012	Engine Support Frame
7	G0014.080020.0002	Large Round Head Square Neck Bolts_M8X20
8	G0276-6205-RS00	Deep Groove Ball Bearing_6205-2RS
9	21113-T60001-0002	Flange
10	G0923-080000-0004	Nut_M8
11	G0889-060000-0002	Hexagon Lock Nut (Non-Metal)_M6
12	61113-T60001-0012	Fender
13	61112-T60001-0000	Frame for connectiong
14	G0097-060000-0002	Washer_φ6
15	G5787-060016-0002	Hexagon Flange Bolt_M6X12
16	72111-T60001-0012	Blade Shaft
17	G5780-100001-0002	Hexagon Bolt_M10X35
18	72465-T60001-0012	Blade Shaft
19	G0889-100000-0002	Hexagon Lock Nut (Non-Metal)_M10
20	G0889-060000-0002	Hexagon Lock Nut (Non-Metal)_M6
21	94050-T60001-0003	Rubber Washer
22	G0097-060000-0002	Washer_φ6
23	G5787-060016-0002	Hexagon Flange Bolt_M6X16

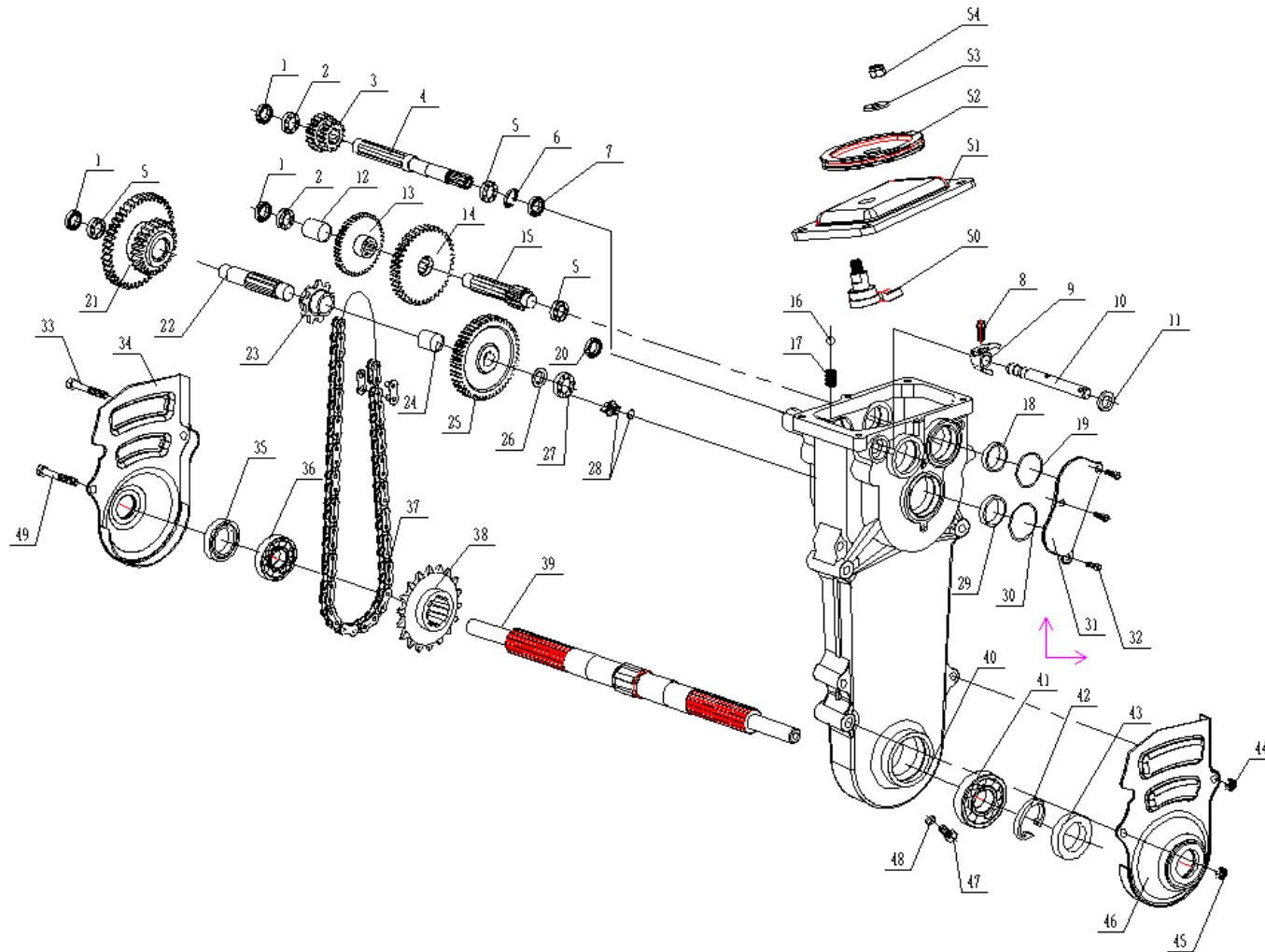


Nº	Referencia	Description
1	63610-T60001-0023	Belt Cover (Metal)
2	G5787-080016-0002	Hexagon Flange Bolt_M8×16
3	G0093-080000-0002	Spring Washer_φ8
4	22415-T60001-0018	Driven Pulley (Walking)
5	22431-40E001-0000	Transmission Belt
6	G5787-100035-0002	Hexagon Flange Bolt_M10×35
7	G0096-100000-0002	Big Washer_φ10
8	22520-T60001-0002	Tensioner Assembly (Walking)
9	53255-T60001-0002	Bush (used for Tensioner)
10	G6177-100000-0002	Hexagon Flange Nut_M10
11	G5787-080020-0002	Hexagon Flange Bolt_M8×20
12	22442-504003-0002	Belt Stopper
13	G6177-080000-0002	Hexagon Flange Nut_M8
14	22431-T60001-0000	Transmission Belt (Timing Belt)
15	G5780-120025-0002	Hexagon Flange Bolt_M10×25
16	G0093-120000-0002	Spring Washer_φ12

17	G0893-320000-0003	Retaining Ring for Hole_φ32
18	G0276-6201-RS00	Deep Groove Ball Bearing_6201-2RS
19	22416-T60003-0000	Timing Wheel (Front)
20	G6177-080000-0002	Hexagon Flange Nut_M8
21	76652-T60001-0002	Support Frame (Front Wheel)
22	G0097-080000-0002	Washer
23	G5787-080020-0002	Hexagon Flange Bolt_M8×20
24	22416-T60002-0000	Timing Wheel (Middel)
25	G5787-080016-0003	Hexagon Flange Bolt_M8×16
26	11803-T60001-0012	Cover Plate (Walking)
27	G6170-100000-0002	Hexagon Nut_M6X12
28	G5782-080085-0002	Hexagon Bolt_M8×85
29	G6177-080000-0002	Hexagon Flange Nut_M8
30	76652-T60004-0002	Support Frame (Plastic Cover)_1
31	G5787-080016-0002	Hexagon Flange Bolt_M8×16
32	11807-T60007-0012	Fixing Plate
33	G5787-080016-0002	Hexagon Flange Bolt_M8×16
34	51231.T60005.0023	Plastic Cover
35	76652-T60003-0002	Support Frame (Plastic Cover)_2
36	G6177-080000-0002	Hexagon Flange Bolt_M6X16
37	G0096-080000-0002	Big Washer_φ8
38	G0276-6302-RS00	Deep Groove Ball Bearing_6302-2RS
39	22416-T60001-0000	Timing Wheel (Rear)
40	G0276-6302-RS00	Deep Groove Ball Bearing_6302-2RS
41	G0096-080000-0002	Big Washer_φ8
42	23453-T60001-0000	Shaft Core
43	G5780-080090-0002	Hexagon Nut_M8×90
44	G6177-080000-0002	Hexagon Flange Nut_M8
45	11807-T60003-0012	Fixing Plate
46	G5787-080020-0002	Hexagon Flange Bolt_M8×20
47	G5787-080020-0002	Hexagon Flange Bolt_M8×20
48	11804-T60002-0000	Tensioning Sleeve
49	23454-T60001-0100	Transmission Shaft



Nº	Referencia	Description
1	42700-500605-0013	Walking Wheel
2	G5780-080016-0002	Hexagon Flange Bolt_M8x16
3	G0097-080000-0002	Spring Washer_φ8
4	G0276-6202-0000	Driven Pulley (Walking)
5	42712-T60001-0012	Transmission Belt
6	G6170-080000-0002	Hexagon Flange Bolt_M10x35
7	G5787-060012-0002	Big Washer_φ10
8	21134-T60002-0012	Tensioner Assembly (Walking)
9	G0889-080000-0002	Bush (used for Tensioner)
10	21141-T60001-0012	Shifting Arm
11		Adjust Washer
12	23455-T60002-0012	Connecting Tube
13	G5787-060016-0002	Hexagon Flange Nut_M8
14	21129-T60001-0003	Transmission Belt (Timing Belt)
15	G0894-140000-0003	Hexagon Flange Bolt_M10x25
16		Spring Washer_φ12
17	21128-T60001-0002	Retaining Ring for Hole_φ32
18	23389-T60001-0000	Deep Groove Ball Bearing_6201-2RS
19	G0301-51108-0000	Timing Wheel (Front)
20	G0895-400002-0000	Hexagon Flange Nut_M8
21	G0301-51107-0000	Support Frame (Front Wheel)
22	22437-T60001-0002	Washer
23	96212-260003-0002	Cover Plate (Walking)
24	21134-T60001-0002	Hexagon Nut_M6X12
25	G5787-080025-0002	Hexagon Bolt_M8x85
26	23459-T60001-0013	Hexagon Flange Nut_M8
27	11807-T60005-0013	Support Frame (Plastic Cover)_1
28	G6177-080000-0002	Hexagon Flange Bolt_M8x16
29	G5787-080150-0002	Fixing Plate
30	G5787-060150-0002	Hexagon Flange Bolt_M8x16
31	23454-T60002-0000	Plastic Cover
32	G5789-080150-0002	Support Frame (Plastic Cover)_2
33	53255-T60005-0002	Hexagon Flange Bolt_M6X16
34	53255-T60004-0002	Big Washer_φ8
35	53255-T60003-0002	Deep Groove Ball Bearing_6302-2RS
36	G5787-080020-0002	Timing Wheel (Rear)
37	G6177-080000-0002	Deep Groove Ball Bearing_6302-2RS
38	11807-T60004-0013	Big Washer_φ8
39	11807-T60006-0013	Shaft Core
40	G6177-080000-0002	Hexagon Nut_M8x90
41	G6177-060000-0002	Hexagon Flange Nut_M8
42	G6177-080000-0002	Fixing Plate
43	21141-T60002-0013	Hexagon Flange Bolt_M8x20
44	42700-500606-0013	Hexagon Flange Bolt_M8x20



Nº	Referencia	Description
1	63610-T60001-0023	Belt Cover (Metal)
2	G5787-080016-0002	Hexagon Flange Bolt_M8×16
3	G0093-080000-0002	Spring Washer_φ8
4	22415-T60001-0018	Driven Pulley (Walking)
5	22431-40E001-0000	Transmission Belt
6	G5787-100035-0002	Hexagon Flange Bolt_M10×35
7	G0096-100000-0002	Big Washer_φ10
8	22520-T60001-0002	Tensioner Assembly (Walking)
9	53255-T60001-0002	Bush (used for Tensioner)
10	G6177-100000-0002	Hexagon Flange Nut_M10
11	G5787-080020-0002	Hexagon Flange Bolt_M8×20
12	22442-504003-0002	Belt Stopper
13	G6177-080000-0002	Hexagon Flange Nut_M8
14	22431-T60001-0000	Transmission Belt (Timing Belt)
15	G5780-120025-0002	Hexagon Flange Bolt_M10×25
16	G0093-120000-0002	Spring Washer_φ12
17	G0893-320000-0003	Retaining Ring for Hole_φ32
18	G0276-6201-RS00	Deep Groove Ball Bearing_6201-2RS
19	22416-T60003-0000	Timing Wheel (Front)
20	G6177-080000-0002	Hexagon Flange Nut_M8
21	76652-T60001-0002	Support Frame (Front Wheel)
22	G0097-080000-0002	Washer
23	G5787-080020-0002	Hexagon Flange Bolt_M8×20
24	22416-T60002-0000	Timing Wheel (Middel)
25	G5787-080016-0003	Hexagon Flange Bolt_M8×16
26	11803-T60001-0012	Cover Plate (Walking)
27	G6170-100000-0002	Hexagon Nut_M6X12
28	G5782-080085-0002	Hexagon Bolt_M8×85
29	G6177-080000-0002	Hexagon Flange Nut_M8
30	76652-T60004-0002	Support Frame (Plastic Cover)_1
31	G5787-080016-0002	Hexagon Flange Bolt_M8×16
32	11807-T60007-0012	Fixing Plate
33	G5787-080016-0002	Hexagon Flange Bolt_M8×16
34	51231.T60005.0023	Plastic Cover
35	76652-T60003-0002	Support Frame (Plastic Cover)_2
36	G6177-080000-0002	Hexagon Flange Bolt_M6X16
37	G0096-080000-0002	Big Washer_φ8
38	G0276-6302-RS00	Deep Groove Ball Bearing_6302-2RS
39	22416-T60001-0000	Timing Wheel (Rear)
40	G0276-6302-RS00	Deep Groove Ball Bearing_6302-2RS
41	G0096-080000-0002	Big Washer_φ8

42	23453-T60001-0000	Shaft Core
43	G5780-080090-0002	Hexagon Nut_M8×90
44	G6177-080000-0002	Hexagon Flange Nut_M8
45	11807-T60003-0012	Fixing Plate
46	G5787-080020-0002	Hexagon Flange Bolt_M8×20
47	G5787-080020-0002	Hexagon Flange Bolt_M8×20
48	11804-T60002-0000	Tensioning Sleeve
49	23454-T60001-0100	Transmission Shaft